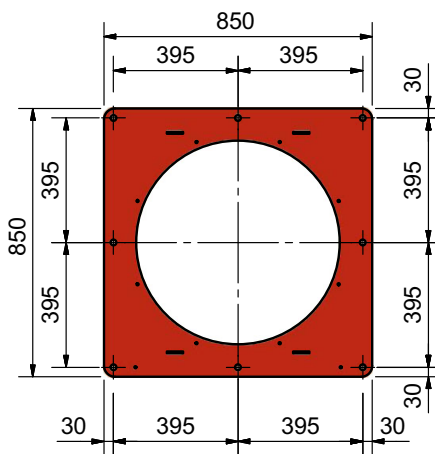
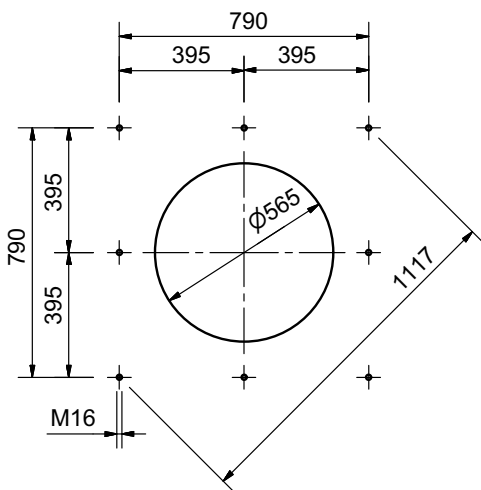
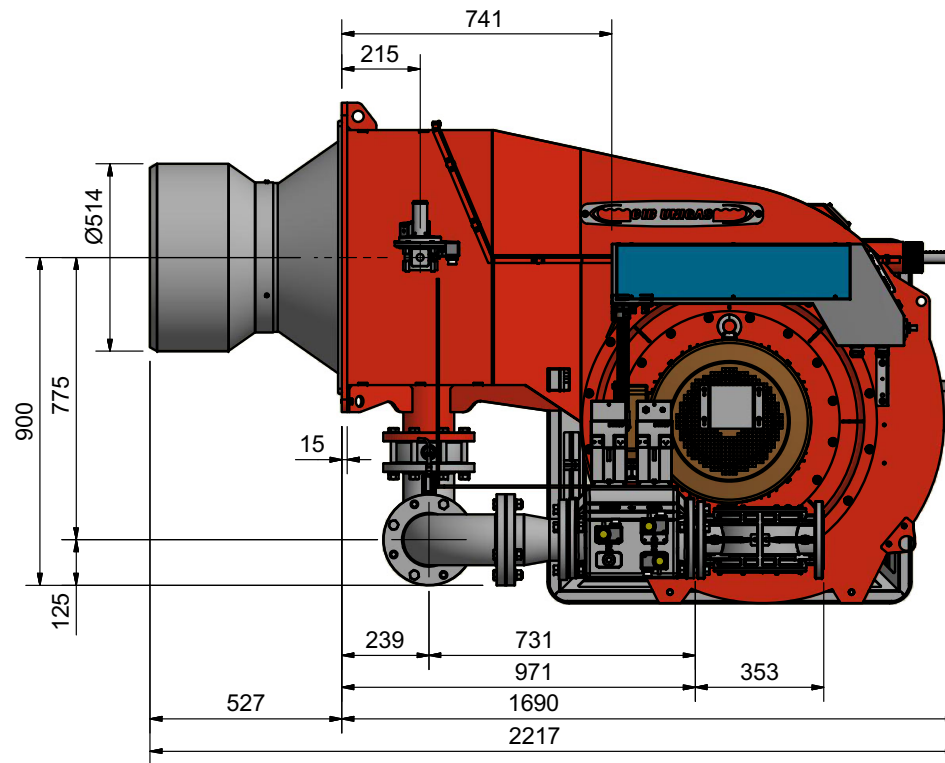
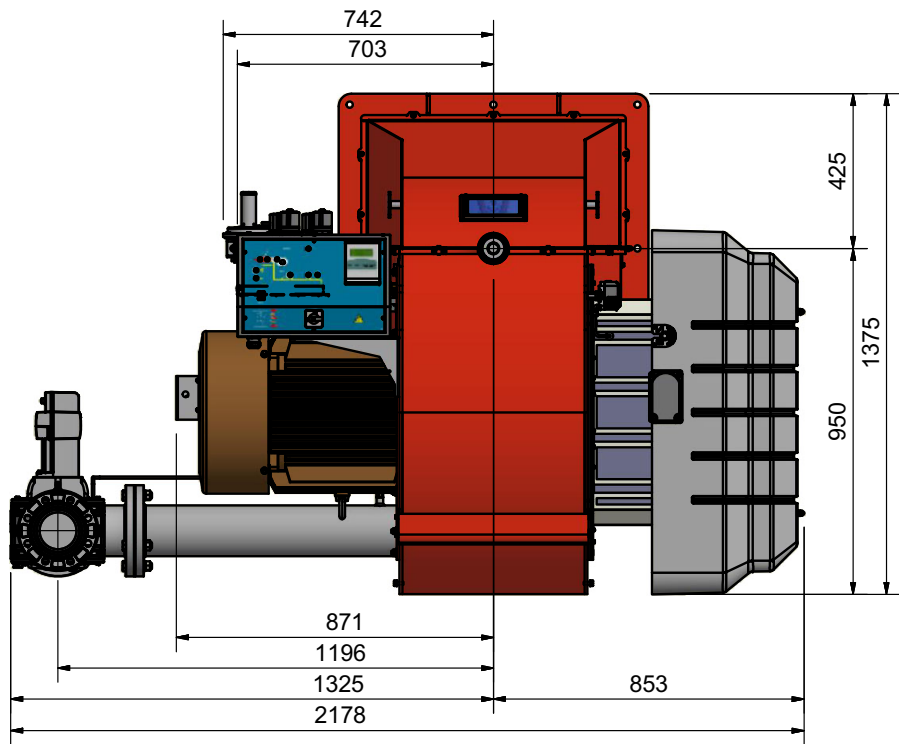


Overall dimensions (mm) S1700A - M-.MD.S.IT.A.8.100.EI



Boiler recommended drilling template

Burner flange