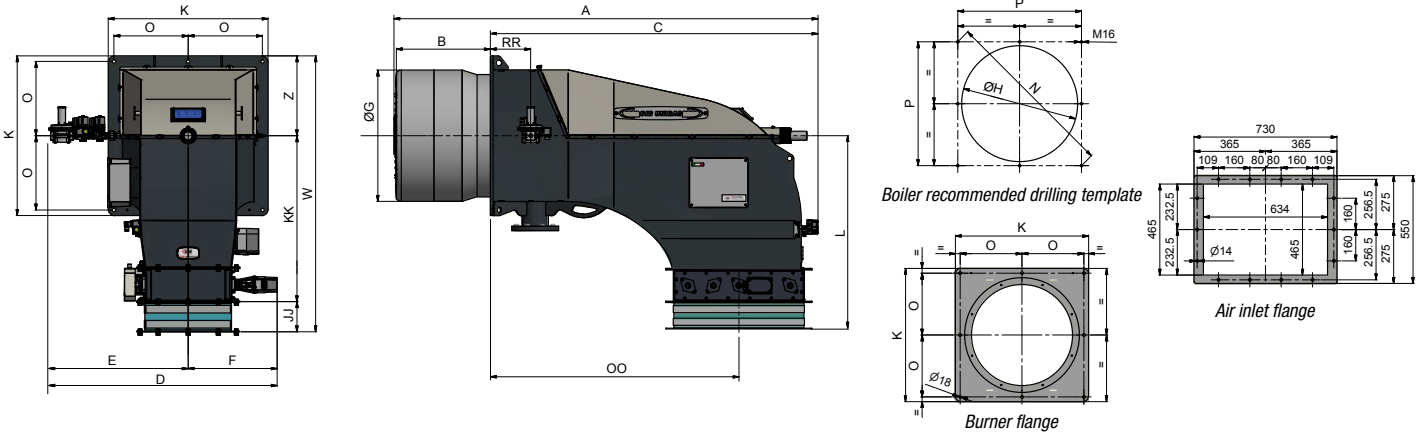


OVERALL DIMENSIONS



Type	Overall dimensions (mm)																				
	A	B	C	D	E	F	G	H	JJ	K	KK	L	M	N	O	OO	P	RR	W	Y	Z
TN2000	2615	650	1875	1203	730	473	545	700	160	850	882	1043	M16	1117	395	1337	790	215	1468	545	425
TN2500	2615	650	1875	1203	730	473	698	760	160	850	882	1043	M16	1117	395	1337	790	215	1468	698	425