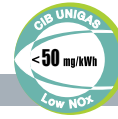
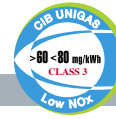
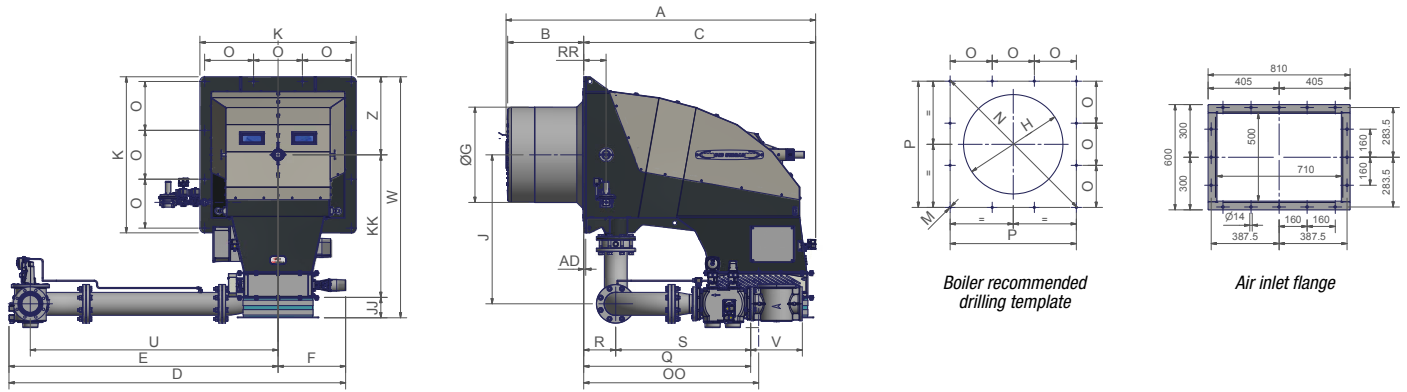


# TLX TLX...FGR TYPE TLX3050

GAS



## OVERALL DIMENSIONS (TLX... - TLX...FGR)



Type	DN	Overall dimensions (mm)																										
		A	B	C	D	E	F	G	H	J	JJ	K	KK	L	M	N	O	OO	P	Q	R	RR	S	U	V	W	Y	Z
TLX3050	150	2513	750	1751	1847	1374	414	698	850	775	160	850	882	1042	M16	1117	395	1289	790	1113	239	215	874	1196	481	1468	651	425
TLX3050	200	2513	750	1751	-	-	414	698	850	775	160	850	882	1042	M16	1117	395	1289	790	-	239	215	-	-	-	1468	651	425